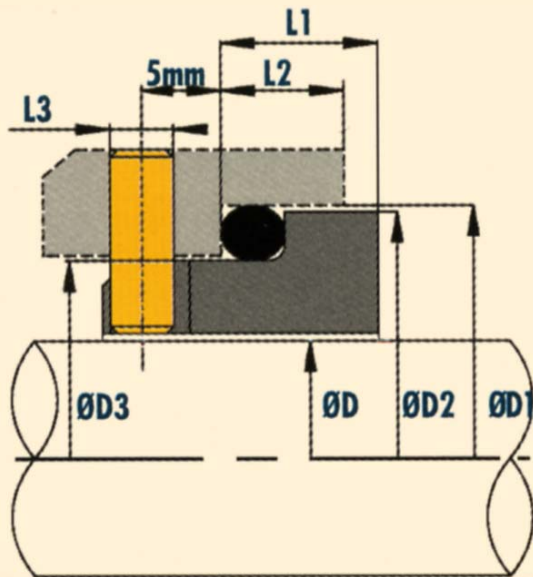
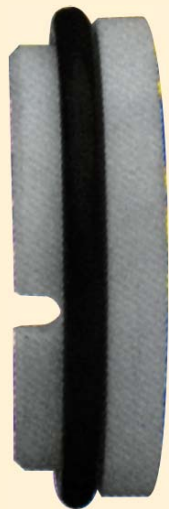


# POWER<sup>®</sup> *seal* 8 DIN long

## stacionární kroužek



### **Materiálové složení**

Stacionární plocha: Ceramic, Silicon Carbide, Tungsten Carbide, Carbon

Ostatní materiály na vyžádání.

Metric Shaft Size D	D1	D2	D3	L1	L2	L3
10	21.0	20.6	16.4	10.0	5.5	3.0
12	23.0	22.6	18.4	10.0	5.5	3.0
14	25.0	24.6	20.4	10.0	5.5	3.0
15	27.0	26.6	22.4	10.0	5.5	3.0
16	27.0	26.6	22.4	10.0	5.5	3.0
18	33.0	32.6	26.6	11.5	7.0	3.0
20	35.0	34.6	28.6	11.5	7.0	3.0
22	37.0	36.6	30.6	11.5	7.0	3.0
24	39.0	38.6	32.6	11.5	7.0	3.0
25	40.0	39.6	33.6	11.5	7.0	3.0
28	43.0	42.6	36.6	11.5	7.0	3.0
30	45.0	44.6	38.6	11.5	7.0	3.0
32	48.0	47.6	41.6	11.5	7.0	3.0
33	48.0	47.6	41.6	11.5	7.0	3.0
35	50.0	49.6	43.8	11.5	7.0	3.0
38	56.0	55.6	48.8	14.0	8.0	4.0
40	58.0	57.4	50.3	14.0	8.0	4.0
43	61.0	60.6	53.8	14.0	8.0	4.0

Metric Shaft Size D	D1	D2	D3	L1	L2	L3
43	61.0	60.6	53.8	14.0	8.0	4.0
45	63.0	62.6	55.8	14.0	8.0	4.0
48	66.0	65.6	58.8	14.0	8.0	4.0
50	70.0	69.6	61.25	15.0	8.5	4.0
53	73.0	72.6	64.25	15.0	8.5	4.0
55	75.0	74.4	66.25	15.0	8.5	4.0
58	78.0	77.5	69.25	15.0	8.5	4.0
60	80.0	79.5	71.25	15.0	8.5	4.0
65	85.0	84.5	76.25	15.0	8.5	4.0
68	90.0	89.5	80.50	18.0	9.5	4.0
70	92.0	91.4	88.60	18.0	9.5	4.0
75	97.0	96.4	87.60	18.0	9.5	4.0
80	105.0	104.2	94.70	18.2	10.0	4.0
85	110.0	109.2	99.70	18.2	10.0	4.0
90	115.0	114.2	104.70	18.2	10.0	4.0
95	120.0	119.2	109.70	17.2	10.0	4.0
100	125.0	124.2	114.70	17.2	10.0	4.0