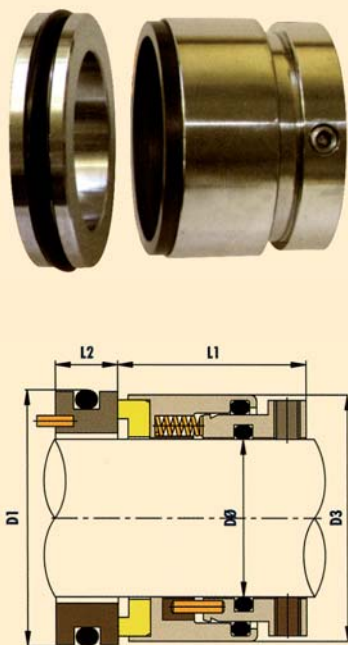


POWER[®] *seal* 40

tlakově odlehčená mechanická ucpávka



POWER[®]seal 40 je vícepružinová, tlakově odlehčená mechanická ucpávka s pružinami mimo médium (nezanášejí se) pro velmi náročné aplikace. K dodání široká škála sedel.

Rozsah použití

Teplota: -30 °C ~ +200 °C

Tlak: 24 bar (350 psi)

Rychlost: 25 m/sec

Materiálové složení

Rotační plocha: uhlík, keramika, karbid křemíku, karbid wolframu

Stacionární plocha: nerezová ocel, Ni-resist, keramika, karbid křemíku, karbid wolframu

Jiné materiálové provedení ploch na vyžádání

STANDARDNÍ ROZMĚRY - PALCOVÉ

ø hřídele D		Size Code	D3		D4		L1		D1 40H Seat		L2 40H Seat		D1 40J Seat		L2 40J Seat	
Inch	mm		mm	Inch	mm	Inch	mm	Inch	mm	Inch	mm	Inch	mm	Inch	mm	Inch
19.05	0.750	0191	33.50	.319	35.00	1.378	30.00	.181	34.15	1.344	10.30	0.406	34.93	1.375	10.30	0.406
22.23	0.875	0222	36.50	.437	38.00	1.496	30.00	.181	37.30	1.469	10.30	0.406	38.10	1.500	10.30	0.406
25.40	1.000	0254	39.60	.559	41.30	1.626	30.00	.181	40.50	1.594	10.30	0.406	41.28	1.625	11.10	0.437
28.58	1.125	0286	43.00	.693	44.50	1.752	32.50	.280	47.63	1.875	11.90	0.469	44.44	1.750	11.10	0.437
31.75	1.250	0317	46.10	1.815	48.00	1.890	32.50	.280	50.80	2.000	11.90	0.469	47.63	1.875	11.10	0.437
34.93	1.375	0349	49.00	1.929	51.00	2.008	32.50	.280	53.98	2.125	11.90	0.469	50.80	2.000	11.10	0.437
38.10	1.500	0381	53.00	2.087	54.00	2.126	34.00	.339	57.15	2.250	11.90	0.469	53.98	2.125	11.10	0.437
41.28	1.625	0412	56.00	2.205	58.00	2.283	34.00	.339	60.35	2.376	11.90	0.469	60.33	2.375	12.70	0.500
44.45	1.750	0444	59.20	2.331	62.50	2.461	34.00	.339	63.50	2.500	11.90	0.469	63.50	2.500	12.70	0.500
47.63	1.875	0476	62.40	2.457	63.50	2.500	34.00	.339	66.70	2.626	11.90	0.469	66.68	2.625	12.70	0.500
50.80	2.000	0508	65.60	2.583	67.60	2.661	34.50	.358	69.85	2.750	13.50	0.531	69.85	2.750	12.70	0.500
53.98	2.125	0539	68.80	2.709	70.80	2.787	34.50	.358	73.05	2.876	13.50	0.531	76.20	3.000	14.30	0.563
57.15	2.250	0571	71.90	2.831	73.90	2.909	34.50	.358	76.20	3.000	13.50	0.531	79.30	3.122	14.30	0.563
60.33	2.375	0603	75.20	2.961	77.20	3.039	34.50	.358	79.40	3.126	13.50	0.531	82.55	3.250	14.30	0.563
63.50	2.500	0635	78.30	3.083	80.30	3.161	34.50	1.358	82.55	3.250	13.50	0.531	85.73	3.375	14.30	0.563
66.68	2.625	0666	84.20	3.315	88.20	3.472	36.00	1.417	92.10	3.626	15.90	0.626	85.73	3.375	15.90	0.626
69.85	2.750	0698	87.40	3.441	91.40	3.598	36.00	1.417	95.25	3.750	15.90	0.626	88.90	3.500	15.90	0.626
73.03	2.875	0730	90.60	3.567	94.60	3.724	36.00	1.417	98.45	3.876	15.90	0.626	95.25	3.750	15.90	0.626
76.20	3.000	0762	93.70	3.689	95.50	3.760	36.00	1.417	101.65	4.002	15.90	0.626	98.43	3.875	15.90	0.626
79.38	3.125	0793	97.00	3.819	99.00	3.898	36.00	.417	111.15	4.376	19.90	0.783	101.60	4.000	19.88	0.783
82.55	3.250	0825	100.00	3.937	102.00	4.016	36.00	.417	114.30	4.500	19.90	0.783	104.78	4.125	19.88	0.783
85.73	3.375	0857	103.30	4.067	105.30	4.146	36.00	.417	117.50	4.626	19.90	0.783	107.95	4.250	19.88	0.783
88.90	3.500	0889	106.40	4.189	108.50	4.272	36.00	1.417	120.65	4.750	19.90	0.783	111.13	4.375	19.88	0.783
92.08	3.625	0920	109.60	4.315	111.50	4.390	36.00	1.417	123.85	4.876	19.90	0.783	114.30	4.500	19.88	0.783
95.30	3.750	0953	112.80	4.441	115.00	4.528	36.50	1.437	127.00	5.000	19.90	0.783	117.48	4.625	19.88	0.783
98.00	3.875	0984	116.00	4.567	118.00	4.646	36.50	1.437	130.20	5.126	19.90	0.783	120.65	4.750	19.88	0.783
101.60	4.000	1016	119.20	4.693	121.50	4.783	36.50	1.437	133.35	5.250	19.90	0.783	123.83	4.875	19.88	0.783