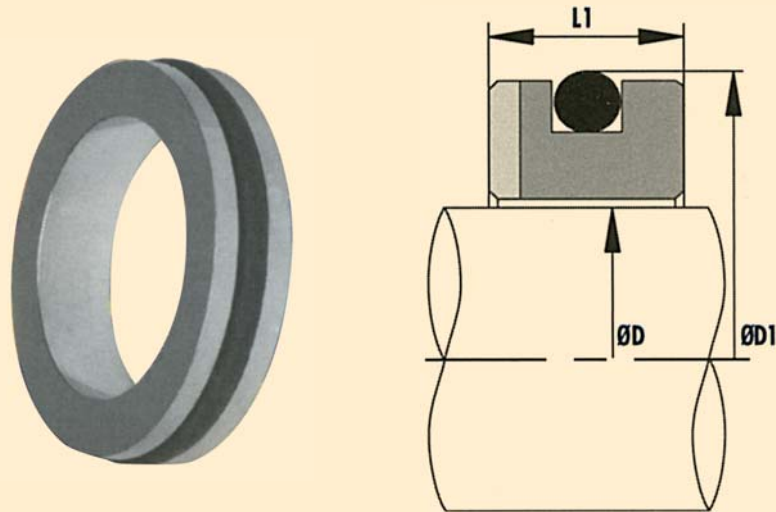


POWER[®] *seal* 21/31

"Non-DIN" sedla s O-kroužkem typ 21/31



Statické „H“ sedlo osazené o-kroužkem vyhovující jak americké tak evropské normě rozměrových řad komor.

Standardní materiálová provedení

Statické sedlo: keramika, nerezová ocel, karbid křemíku, karbid wolframu, Ni-Resist

Ostatní materiály na vyžádání.

Ø hřídele D			Ø hřídele D			Typ 21				Typ 31			
Inch	mm	Code Size	mm	Inch	Code Size	D1		L1		D1		L1	
						mm	Inch	mm	Inch	mm	Inch	mm	Inch
0.375	9.53	0950	-	-	-	24.60	0.969	8.70	0.343	22.22	0.875	7.95	0.313
-	-	-	10	0.394	0100	24.60	0.969	8.70	0.343	22.22	0.875	7.95	0.313
-	-	-	12	0.472	0120	27.79	1.094	8.70	0.343	25.40	1.000	7.95	0.313
0.500	12.70	0127	-	-	-	27.79	1.094	8.70	0.343	25.40	1.000	7.95	0.313
-	-	-	13	0.512	0130	27.79	1.094	8.70	0.343	25.40	1.000	7.95	0.313
-	-	-	14	0.551	0140	30.95	1.219	10.30	0.406	31.75	1.250	10.30	0.406
-	-	-	15	0.591	0150	30.95	1.219	10.30	0.406	31.75	1.250	10.30	0.406
0.625	15.88	0158	-	-	-	30.95	1.219	10.30	0.406	31.75	1.250	10.30	0.406
-	-	-	16	0.630	0160	30.95	1.219	10.30	0.406	31.75	1.250	10.30	0.406
-	-	-	18	0.709	0180	34.15	1.344	10.30	0.406	34.93	1.375	10.30	0.406
0.750	19.05	0191	-	-	-	34.15	1.344	10.30	0.406	34.93	1.375	10.30	0.406
-	-	-	20	0.787	0200	35.70	1.406	10.30	0.406	38.10	1.500	10.30	0.406
-	-	-	22	0.866	0220	37.30	1.469	10.30	0.406	38.10	1.500	10.30	0.406
0.875	22.23	0222	-	-	-	37.30	1.469	10.30	0.406	38.10	1.500	10.30	0.406
-	-	-	24	0.945	0240	40.50	1.594	10.30	0.406	41.28	1.625	11.10	0.437
-	-	-	25	0.984	0250	40.50	1.594	10.30	0.406	41.28	1.625	11.10	0.437
1.000	25.40	0254	-	-	-	40.50	1.594	10.30	0.406	41.28	1.625	11.10	0.437
-	-	-	28	1.102	0280	47.63	1.875	11.90	0.469	44.44	1.750	11.10	0.437
1.125	28.58	0286	-	-	-	47.63	1.875	11.90	0.469	44.44	1.750	11.10	0.437
-	-	-	30	1.181	0300	50.80	2.000	11.90	0.469	47.63	1.875	11.10	0.437
1.250	31.75	0317	-	-	-	50.80	2.000	11.90	0.469	47.63	1.875	11.10	0.437
-	-	-	32	1.260	0320	50.80	2.000	11.90	0.469	47.63	1.875	11.10	0.437
-	-	-	33	1.299	0330	53.98	2.125	11.90	0.469	50.80	2.000	11.10	0.437
1.375	34.93	0349	-	-	-	53.98	2.125	11.90	0.469	50.80	2.000	11.10	0.437
-	-	-	35	1.378	0350	53.98	2.125	11.90	0.469	50.80	2.000	11.10	0.437
-	-	-	38	1.496	0380	57.15	2.250	11.90	0.469	53.98	2.125	11.10	0.437
1.500	38.10	0381	-	-	-	57.15	2.250	11.90	0.469	53.98	2.125	11.10	0.437
-	-	-	40	1.575	0400	60.35	2.376	11.90	0.469	60.35	2.376	12.70	0.500
1.625	41.28	0412	-	-	-	60.35	2.376	11.90	0.469	60.35	2.376	12.70	0.500
-	-	-	42	1.654	0420	63.50	2.500	11.90	0.469	63.50	2.500	12.70	0.500
-	-	-	43	1.693	0430	63.50	2.500	11.90	0.469	63.50	2.500	12.70	0.500
1.750	44.45	0444	-	-	-	63.50	2.500	11.90	0.469	63.50	2.500	12.70	0.500
-	-	-	45	1.772	0450	63.50	2.500	11.90	0.469	66.68	2.625	12.70	0.500
1.875	47.63	0475	-	-	-	66.70	2.626	11.90	0.469	66.68	2.625	12.70	0.500
-	-	-	48	1.890	0480	66.70	2.626	11.90	0.469	69.85	2.750	12.70	0.500
-	-	-	50	1.969	0500	69.85	2.750	13.50	0.531	69.85	2.750	12.70	0.500
2.000	50.80	0508	-	-	-	69.85	2.750	13.50	0.531	69.85	2.750	12.70	0.500
-	-	-	53	2.087	0530	73.05	2.876	13.50	0.531	76.20	3.000	14.30	0.563
2.125	53.98	0539	-	-	-	73.05	2.876	13.50	0.531	76.20	3.000	14.30	0.563
-	-	-	55	2.165	0550	76.20	3.000	13.50	0.531	79.38	3.125	14.30	0.563
2.250	57.15	0571	-	-	-	76.20	3.000	13.50	0.531	79.30	3.122	14.30	0.563
-	-	-	58	2.283	0580	79.40	3.126	13.50	0.531	82.55	3.250	14.30	0.563
-	-	-	60	2.362	0600	79.40	3.126	13.50	0.531	82.55	3.250	14.30	0.563
2.375	60.33	0603	-	-	-	79.40	3.126	13.50	0.531	82.55	3.250	14.30	0.563
-	-	-	63	2.480	0630	82.55	3.250	13.50	0.531	85.73	3.375	14.30	0.563
2.500	63.50	0635	-	-	-	82.55	3.250	13.50	0.531	85.73	3.375	14.30	0.563
-	-	-	65	2.559	0650	92.10	3.626	15.90	0.626	85.73	3.375	15.90	0.626
2.625	66.68	0666	-	-	-	92.10	3.626	15.90	0.626	85.73	3.375	15.90	0.626
2.750	69.85	0698	-	-	-	95.25	3.750	15.90	0.626	88.90	3.500	15.90	0.626
-	-	-	70	2.756	0700	95.25	3.750	15.90	0.626	88.90	3.500	15.90	0.626
2.875	73.03	0730	-	-	-	98.45	3.876	15.90	0.626	95.25	3.750	15.90	0.626
-	-	-	75	2.953	0750	101.65	4.002	15.90	0.626	98.43	3.875	15.90	0.626
3.000	76.70	0762	-	-	-	101.65	4.002	15.90	0.626	98.43	3.875	15.90	0.626
-	-	-	80	3.150	0800	111.15	4.376	19.90	0.783	101.60	4.000	19.88	0.783
-	-	-	90	3.543	0900	120.65	4.750	19.90	0.783	111.13	4.375	19.88	0.783
-	-	-	100	3.937	1000	133.35	5.250	19.90	0.783	123.83	4.875	19.88	0.783