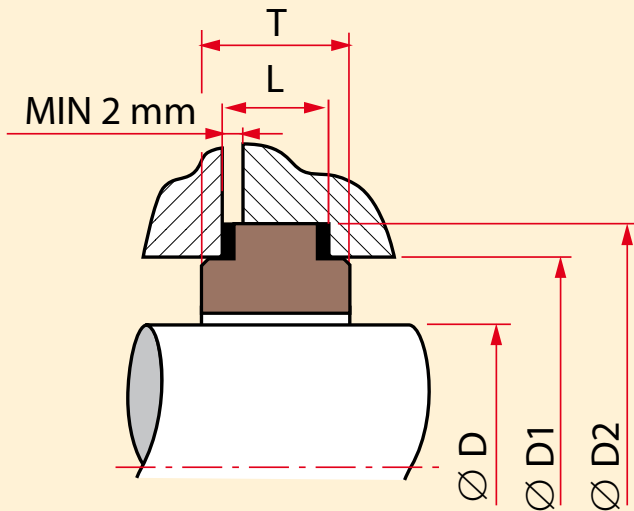


POWER[®] seal T



Materiálové složení

Plocha: CA / SC / SiC / TC

mm

D	D1	D2	T	L
0.750	1.437	1.843	0.750	0.625
0.875	1.562	1.968	0.750	0.625
1.000	1.625	1.937	0.750	0.625
1.125	1.750	2.156	0.750	0.625
1.250	2.000	2.406	0.750	0.625
1.375	2.000	2.406	0.875	0.625
1.500	2.250	2.781	0.875	0.625
1.625	2.438	2.906	0.875	0.625
1.750	2.500	2.906	0.875	0.625
1.875	2.625	3.156	0.875	0.625
2.000	2.750	3.406	0.875	0.625
2.215	2.875	3.406	0.875	0.625
2.250	3.250	3.906	0.875	0.625
2.375	3.375	4.031	0.875	0.625
2.500	3.500	4.156	1.000	0.750
2.625	3.625	4.281	1.000	0.750
2.750	3.750	4.406	1.000	0.750
2.875	3.875	4.531	1.000	0.750
3.000	4.000	4.656	1.000	0.750

inch

D	D1	D2	T	L
19.05	36.50	46.81	19.05	15.80
22.23	39.67	49.99	19.05	15.80
25.40	41.28	49.20	19.05	15.80
28.58	44.45	54.76	19.05	15.80
31.75	50.80	61.11	19.05	15.80
34.93	50.80	61.11	22.23	15.80
38.10	57.15	70.64	22.23	15.80
41.28	61.93	73.81	22.23	15.80
44.45	63.50	73.81	22.23	15.80
47.63	66.68	80.16	22.23	15.80
50.80	69.85	86.51	22.23	15.80
53.98	73.03	86.51	22.23	15.80
57.15	82.55	99.21	22.23	15.80
60.33	85.73	102.4	22.23	15.80
63.50	88.90	105.5	25.40	19.50
66.68	92.08	108.7	25.40	19.50
69.85	95.25	111.9	25.40	19.50
73.03	98.43	115.1	25.40	19.50
76.20	101.6	118.3	25.40	19.50