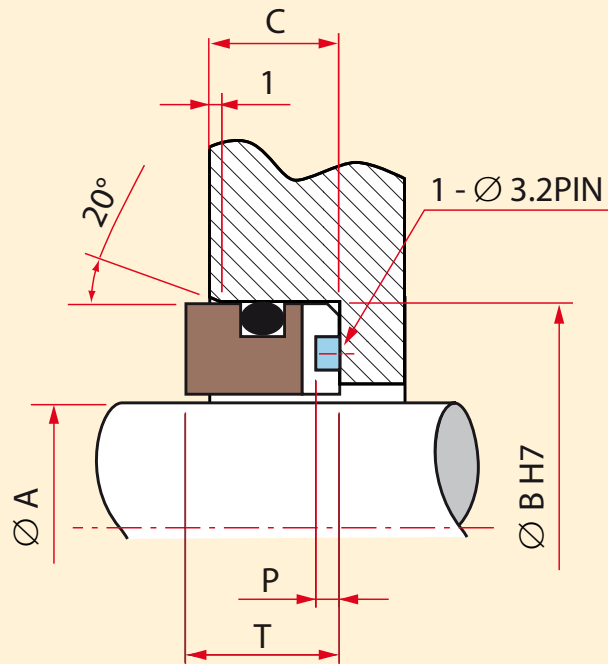


POWER[®] seal H



Materiálové složení

Plocha: CA / SC / SiC / TC

O-kroužky: EPDM / Viton / FEP / Kalrez

A		B		C		T		P		O/R
Inch	mm	Inch	mm	Inch	mm	Inch	mm	Inch	mm	
0.750	19.050	1.375	34.92	0.344	8.7	0.406	10.3	0.047	1.2	216
0.875	22.225	1.500	38.10	0.344	8.7	0.406	10.3	0.047	1.2	218
0.937	23.800	1.562	39.67	0.375	9.5	0.437	11.1	0.047	1.2	219
1.000	25.400	1.625	41.28	0.375	9.5	0.437	11.1	0.047	1.2	220
1.125	28.575	1.750	44.45	0.375	9.5	0.437	11.1	0.047	1.2	222
1.250	31.750	1.875	47.63	0.375	9.5	0.437	11.1	0.047	1.2	223
1.375	34.925	2.000	50.80	0.375	9.5	0.437	11.1	0.047	1.2	224
1.500	38.100	2.125	53.97	0.375	9.5	0.437	11.1	0.047	1.2	225
1.625	41.275	2.375	60.33	0.437	11.1	0.500	12.7	0.063	1.6	227
1.750	44.450	2.500	63.50	0.437	11.1	0.500	12.7	0.063	1.6	228
1.875	47.625	2.625	66.68	0.437	11.1	0.500	12.7	0.063	1.6	229
2.000	50.800	2.750	69.85	0.437	11.1	0.500	12.7	0.063	1.6	230
2.125	53.975	3.000	76.20	0.500	12.7	0.562	14.3	0.063	1.6	232
2.250	57.150	3.125	79.38	0.500	12.7	0.562	14.3	0.063	1.6	233
2.375	60.325	3.250	82.55	0.500	12.7	0.562	14.3	0.063	1.6	234
2.500	63.500	3.375	85.73	0.500	12.7	0.562	14.3	0.063	1.6	235
2.625	66.675	3.375	85.73	0.562	14.3	0.625	15.8	0.086	2.2	235
2.750	69.850	3.500	88.90	0.562	14.3	0.625	15.8	0.086	2.2	236
2.875	73.025	3.750	95.25	0.562	14.3	0.625	15.8	0.086	2.2	238
3.000	76.200	3.875	98.43	0.562	14.3	0.625	15.8	0.086	2.2	239
3.125	79.375	4.000	101.60	0.721	18.3	0.781	19.8	0.137	3.5	240
3.250	82.550	4.125	104.80	0.721	18.3	0.781	19.8	0.137	3.5	241
3.375	85.725	4.250	108.00	0.721	18.3	0.781	19.8	0.137	3.5	242
3.500	88.900	4.375	111.12	0.721	18.3	0.781	19.8	0.137	3.5	243
3.625	92.075	4.500	114.30	0.721	18.3	0.781	19.8	0.137	3.5	244
3.750	95.250	4.625	117.47	0.721	18.3	0.781	19.8	0.137	3.5	245
3.875	98.425	4.750	120.65	0.721	18.3	0.781	19.8	0.137	3.5	246
4.000	101.60	4.875	123.82	0.721	18.3	0.781	19.8	0.137	3.5	247